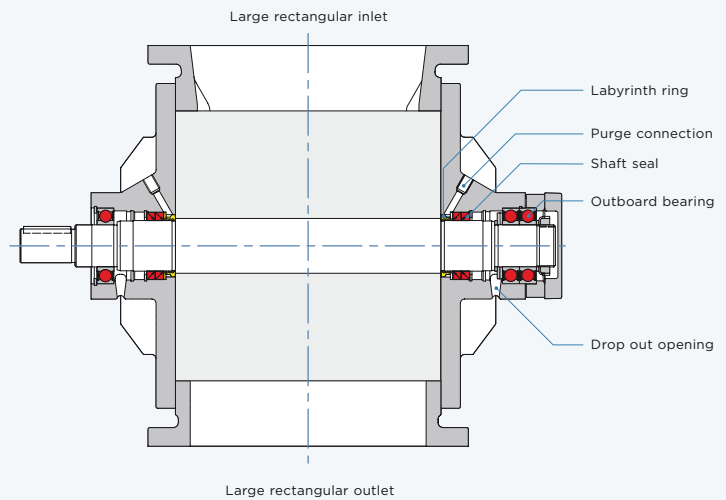
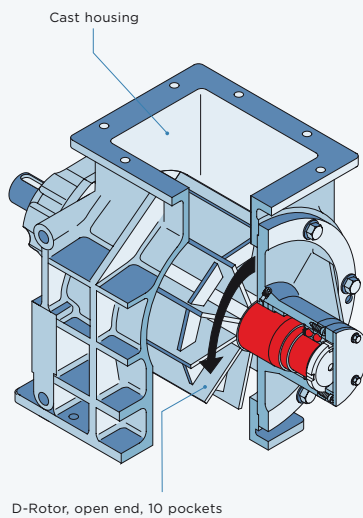
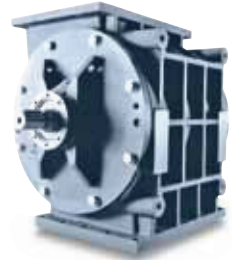


Rotary Valve ZKD.

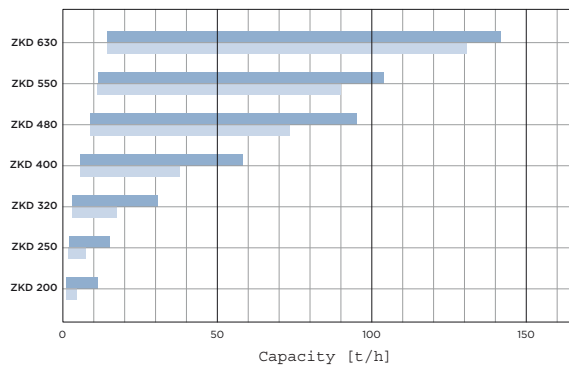
OPTIONS AND ACCESSORIES

- _ Quick coupling with extraction device
- _ Chamfered blades
- _ Rotor with shallow pockets
- _ Scraper blades
- _ X-rotor
- _ Wear protection
- _ High temperature version (T) up to 250°C
- _ Chain drive/direct drive
- _ Leakage gas collector
- _ Feeding shoe



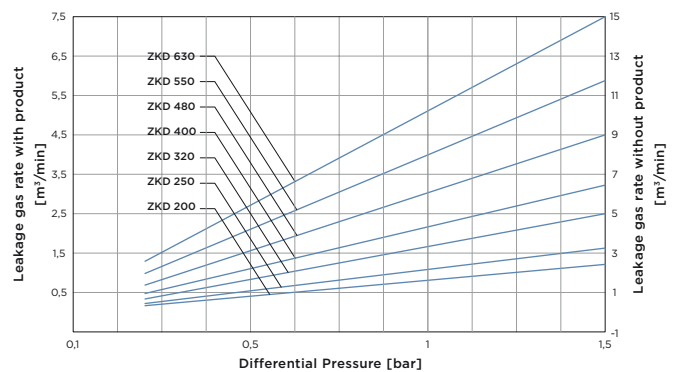
Performance Diagram

- Powder with bulk density 1000 kg/m³ and 0.6 mm < d₅₀ < 1.0 mm, Δp = 0.8 bar
- Powder with bulk density 1000 kg/m³ and 0.15 mm < d₅₀ < 0.3 mm, Δp = 0.8 bar



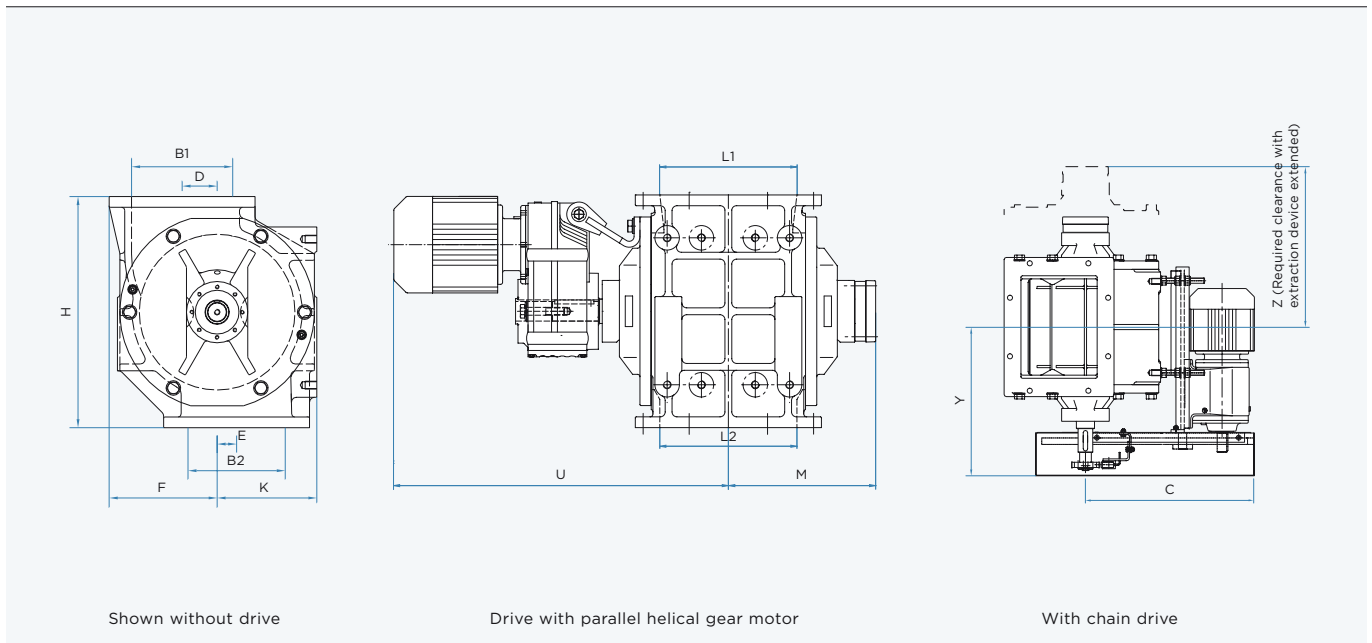
Leakage gas Diagram

(New, standard clearance 60°C, max. speed)



ROTARY VALVE FOR POWDERS | ZKD

| | |
|-----------------------------|--|
| PRESSURE RANGE | 1.5 bar (21 psi), system and differential pressure |
| PRESSURE SURGE PROOF | 10 bar (145 psi), due to heavy duty design |
| ATEX (OPTIONAL) | Usable in Ex-Zones and flameproof ST2 (protection system) |
| INLET /OUTLET | Rectangular design: shape of housing corresponds to shape of rotor |
| OUTBOARD BEARINGS | Separated from product by purged seal arrangement and product drop out opening |



| | Inlet /Outlet | | Other dimensions | | | | | | | | | | Weight** appr. kg | |
|----------------|---------------|---------|------------------|-----|-----|-------|-----|----|-----|-----|------|------|-------------------|-------|
| | L1xB1 | L2xB2 | H | C* | Y* | K | D | E | F | M* | Z* | U** | AL | SS/GG |
| ZKD 200 | 186x150 | 186x150 | 340 | 490 | 350 | 140 | 25 | / | 147 | 232 | 681 | 350 | 32 | 65 |
| ZKD 250 | 220x178 | 220x170 | 400 | 515 | 385 | 165 | 54 | 20 | 174 | 252 | 755 | 640 | 42 | 90 |
| ZKD 320 | 280x208 | 280x200 | 475 | 635 | 425 | 205 | 72 | 40 | 222 | 300 | 923 | 685 | 67 | 148 |
| ZKD 400 | 370x268 | 350x260 | 600 | 700 | 475 | 247.5 | 80 | 50 | 260 | 355 | 1034 | 760 | 126 | 260 |
| ZKD 480 | 460x300 | 450x300 | 700 | 755 | 540 | 300 | 60 | 20 | 270 | 415 | 1271 | 940 | 280 | 495 |
| ZKD 550 | 500x320 | 490x320 | 800 | 785 | 590 | 330 | 100 | 30 | 330 | 470 | 1345 | 985 | 385 | 690 |
| ZKD 630 | 600x400 | 590x400 | 900 | 865 | 670 | 405 | 45 | / | 405 | 508 | / | 1045 | 700 | 1000 |

Dimensions in mm

* Dimensions may vary depending on installed drive and are not valid for high temperature executions

*** Without drive