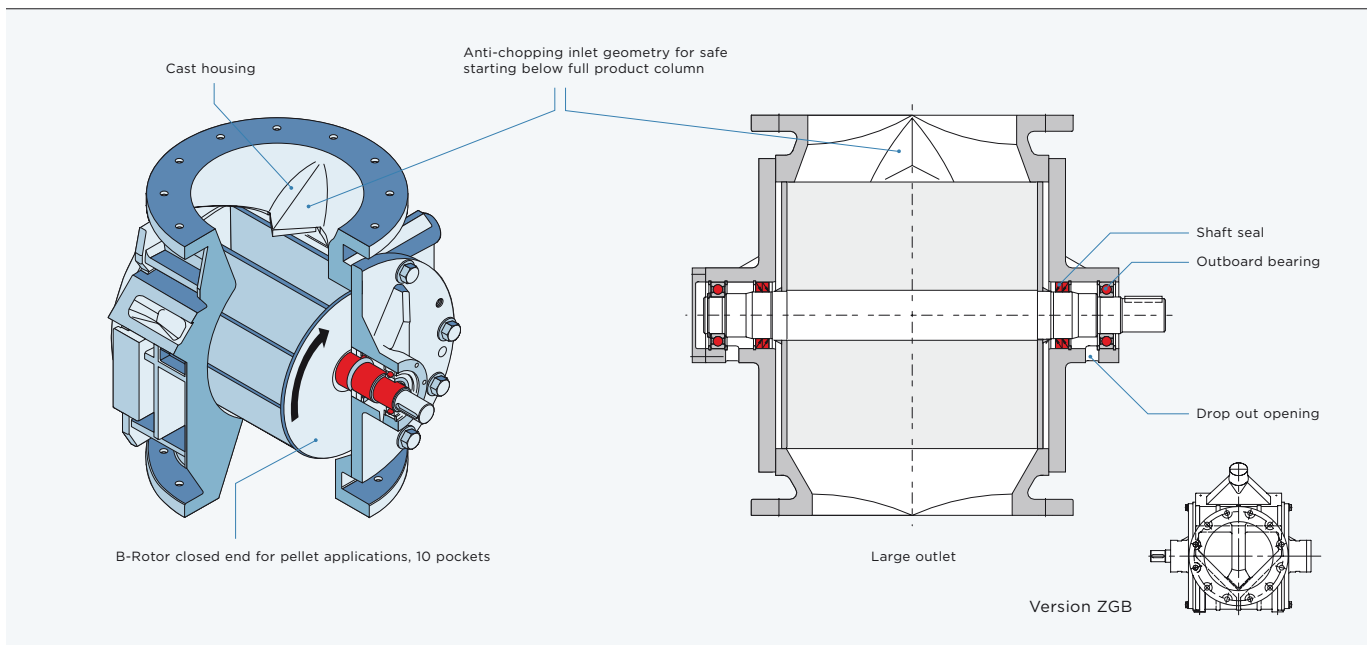


# Rotary Valve ZVB.

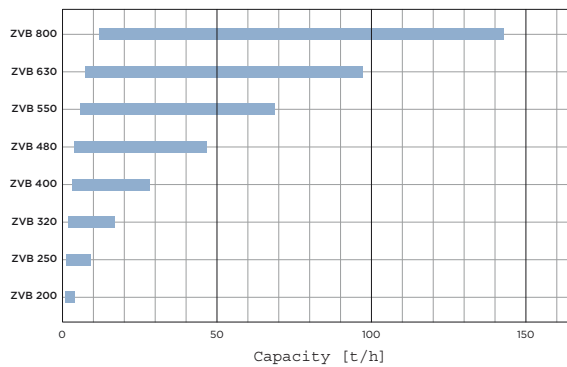
## OPTIONS AND ACCESSORIES

- \_ Quick coupling with extraction device
- \_ Rotor with shallow pockets
- \_ ZG version (pellet deflection)
- \_ Wear protection
- \_ High temperature version (T) up to 250°C
- \_ Chain drive/direct drive
- \_ Leakage gas hopper
- \_ Feeding shoe



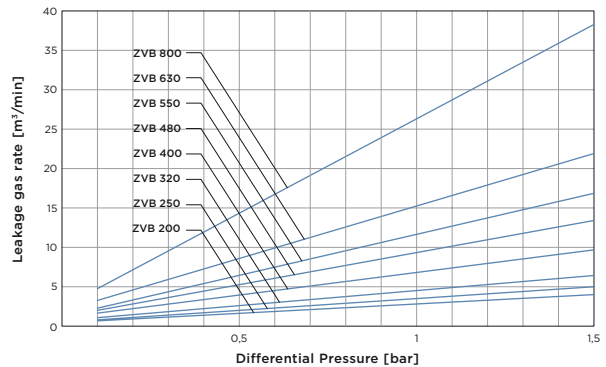
### Performance Diagram

PE/PP pellets with bulk density 520 kg/m<sup>3</sup> and particle size 3 mm, Δp = 0.8 bar



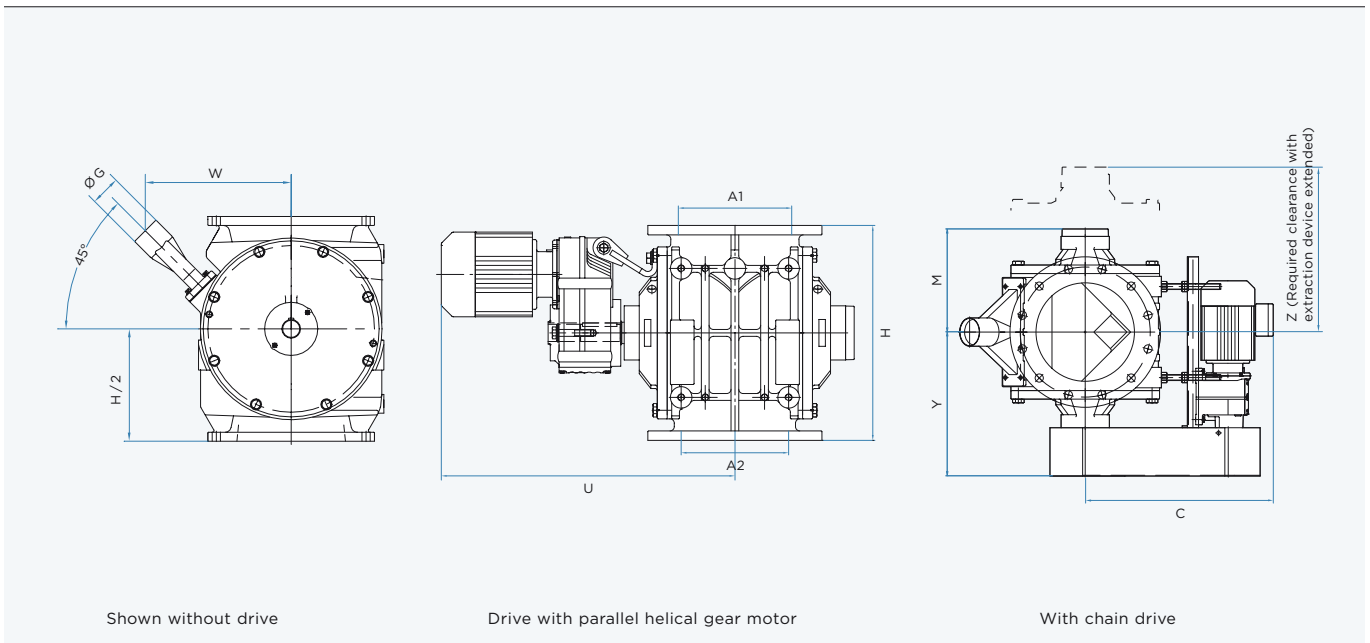
### Leakage gas Diagram

(New, standard clearance 60°C, max. speed)



ROTARY VALVE FOR PELLETS | ZVB

<b>PRESSURE RANGE</b>	1.5 bar (21 psi), system and differential pressure
<b>PRESSURE SURGE PROOF</b>	10 bar (145 psi), due to heavy duty design
<b>ATEX (OPTIONAL)</b>	Usable in Ex-Zones
<b>INLET FOR PELLETS</b>	Anti-chopping inlet geometry (patented) for safe starting below full product column
<b>BODY VENT</b>	High filling efficiency by internal leakage gas venting



	Inlet*/Outlet*		Other dimensions									Weight*** appr. kg		
	A1/A2 (DIN)	A1/A2 (ANSI)	Ø A1	Ø A2	H	C**	Y**	W	M**	Z**	U**	Ø G	AL	SS/GG
<b>ZVB 200</b>	ND 150	6"	162	150	360	490	350	226	212	681	350	48.3	42	75
<b>ZVB 250</b>	ND 200	8"	210	200	450	515	385	278	235	755	640	60.3	65	122
<b>ZVB 320</b>	ND 250	10"	265	250	500	635	425	320	274	923	685	76.1	116	210
<b>ZVB 400</b>	ND 300	12"	316	300	600	700	475	394	325	1034	760	88.9	195	350
<b>ZVB 480</b>	ND 350	14"	360	350	750	755	540	464	373	1271	940	88.9	320	550
<b>ZVB 550</b>	ND 400	16"	410	400	850	785	590	537	438	1345	985	108.0	435	730
<b>ZVB 630</b>	ND 500	20"	500	480	970	840	670	590	508	1755	1045	108.0	660	1150
<b>ZVB 800</b>	ND 700	28"	700	680	1140	960	760	755	561	/	1260	168.3	1350	2255

Dimensions in mm

\* Drilled according to DIN PN 10 or ANSI 150 lbs

\*\* Dimensions may vary depending on installed drive and are not valid for high temperature executions

\*\*\* Without drive