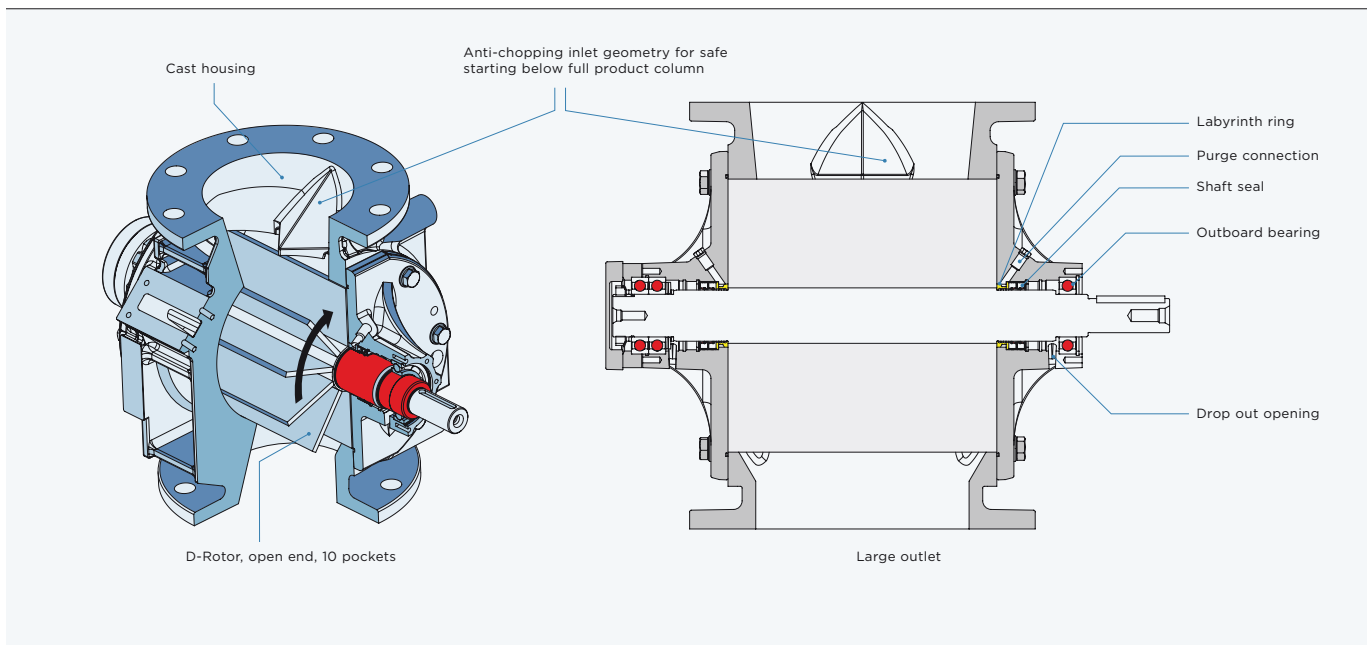


Rotary Valve ZVD.

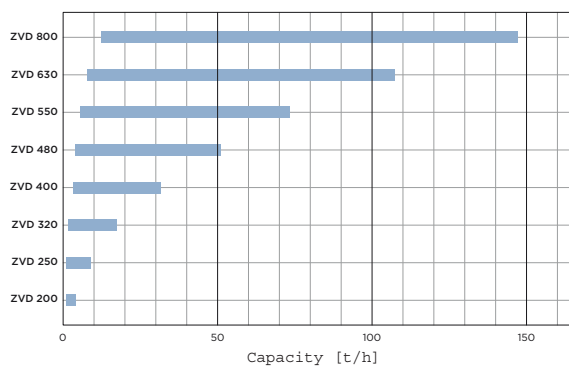
OPTIONS AND ACCESSORIES

- _ Quick coupling with extraction device
- _ Rotor with shallow pockets
- _ ZG version (pellet deflection)
- _ Wear protection
- _ High temperature version (T) up to 250°C
- _ Chain drive/direct drive
- _ Leakage gas hopper
- _ Feeding shoe



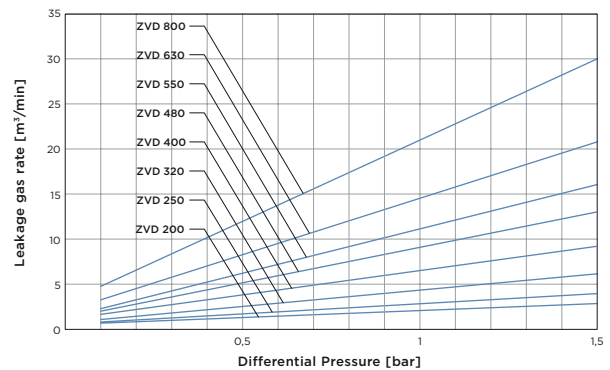
Performance Diagram

PE/PP pellets with bulk density 520 kg/m³ and particle size 3 mm, Δp = 0.8 bar



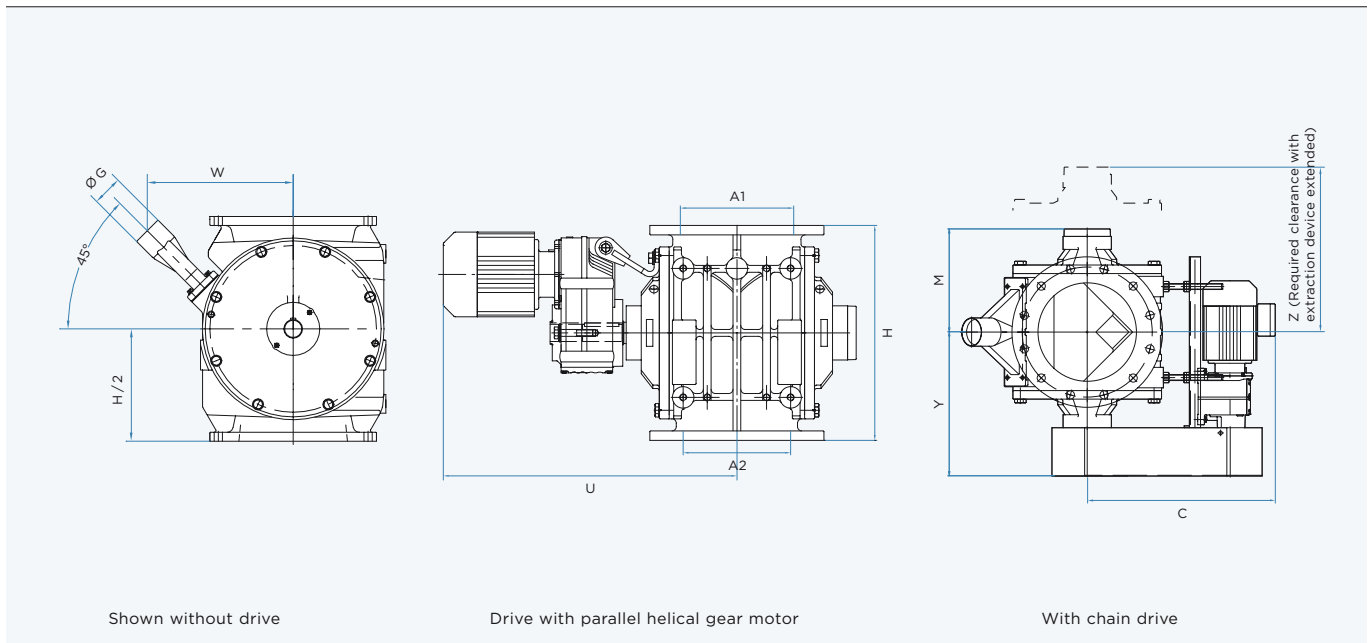
Leakage gas Diagram

(New, standard clearance 60°C, max. speed)



ROTARY VALVE FOR PELLETS | ZVD

PRESSURE RANGE	1.5 bar (21 psi), system and differential pressure
PRESSURE SURGE PROOF	10 bar (145 psi), due to heavy duty design
ATEX (OPTIONAL)	Usable in Ex-Zones and flameproof ST2 (protection system)
INLET FOR PELLETS	Anti-chopping inlet geometry (patented) for safe starting below full product column
BODY VENT	High filling efficiency by internal leakage gas venting



Shown without drive

Drive with parallel helical gear motor

With chain drive

	Inlet*/Outlet*		Other dimensions										Weight*** appr. kg	
	A1/A2 (DIN)	A1/A2 (ANSI)	Ø A1	Ø A2	H	C**	Y**	W	M**	Z**	U**	Ø G	AL	SS/GG
ZVD 200	ND 150	6"	162	150	360	490	350	226	212	681	350	48.3	41	86
ZVD 250	ND 200	8"	210	200	450	515	385	278	235	755	640	60.3	65	140
ZVD 320	ND 250	10"	265	250	500	635	425	320	274	923	685	76.1	115	250
ZVD 400	ND 300	12"	316	300	600	700	475	394	325	1034	760	88.9	190	415
ZVD 480	ND 350	14"	360	350	750	755	540	464	373	1271	940	88.9	315	650
ZVD 550	ND 400	16"	410	400	850	785	590	537	438	1345	985	108.0	425	860
ZVD 630	ND 500	20"	500	480	970	840	670	590	508	1755	1045	108.0	650	1360
ZVD 800	ND 700	28"	700	680	1140	960	760	755	561	/	1260	168.3	1360	2570

Dimensions in mm

* Drilled according to DIN PN 10 or ANSI 150 lbs

** Dimensions may vary depending on installed drive and are not valid for high temperature executions

*** Without drive