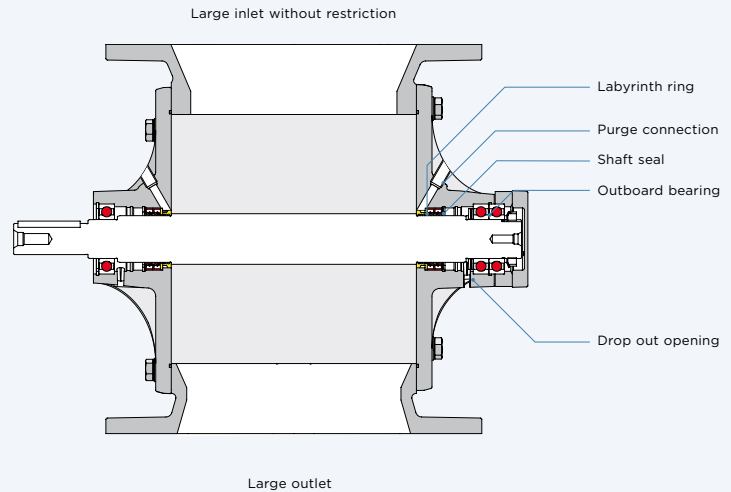
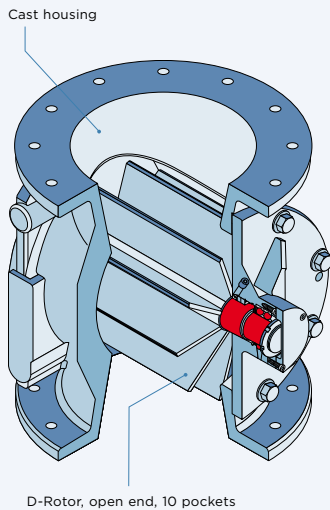


Rotary Valve ZRD



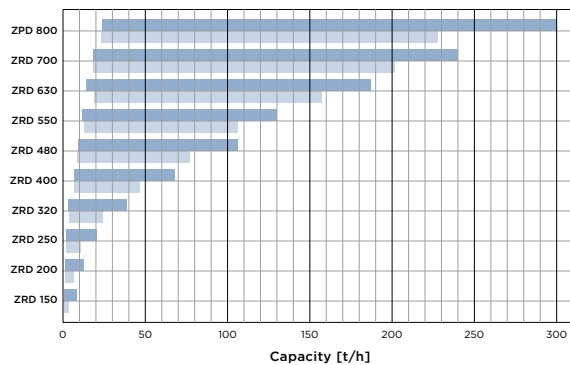
DISCHARGING- AND METERING-VALVE FOR POWDERS

- _ Large inlet for high capacities
- _ With feeding shoe also suitable for feeding bulk materials into pneumatic conveying systems at up to 1.5 barg (21 psi)
- _ Operation possible without leakage gas venting



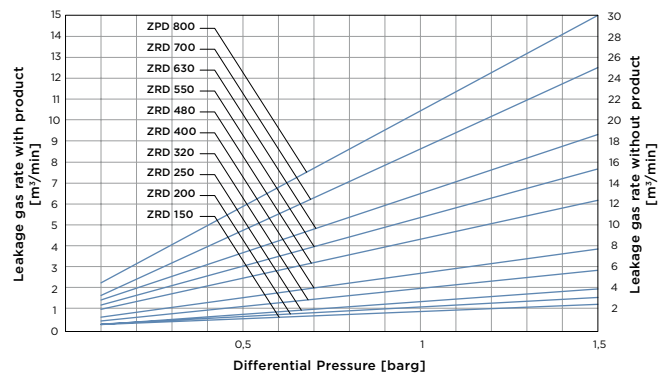
Performance diagram

- Powder with bulk density 1000 kg/m³ and 0.6 mm < d₅₀ < 1.0 mm, Δp = 0.8 barg
- Powder with bulk density 1000 kg/m³ and 0.15 mm < d₅₀ < 0.3 mm, Δp = 0.8 barg



Leakage gas diagram

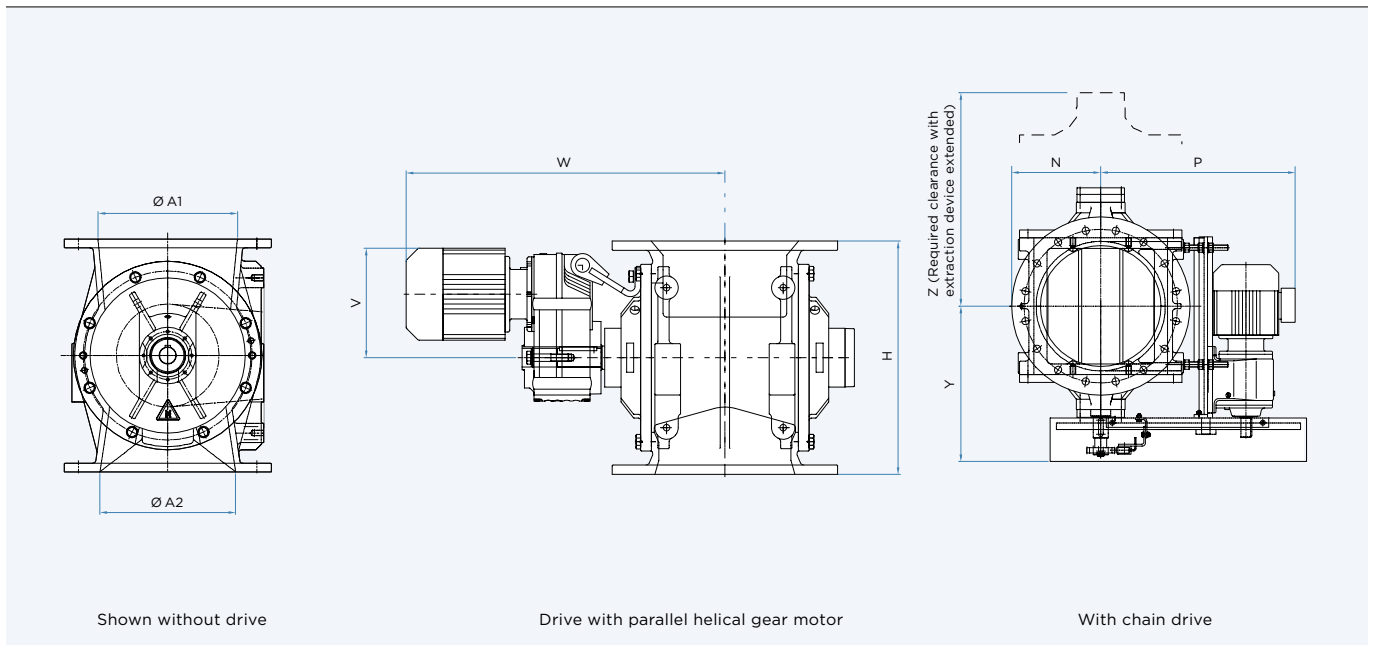
(New, standard clearance 60°C, max. speed)



ROTARY VALVE FOR POWDERS | ZRD

PRESSURE RANGE 1.5 barg (21 psi) system and differential pressure
PRESSURE SURGE PROOF 10 barg (145 psi), due to heavy duty design
ATEX (OPTIONAL) Usable in Ex-Zones and as protection system (flameproof for dust ST2)
LARGE INLET/OUTLET Without restriction of the cross section for highest capacities
OUTBOARD BEARINGS Separated from product by purged seal arrangement and drop out opening

- OPTIONS AND ACCESSORIES**
- _ Quick cleaning coupling with extraction device
 - _ Chamfered blades
 - _ Rotor with shallow pockets
 - _ Knife at the product inlet
 - _ X-rotor → ZRX or C-rotor → ZRC
 - _ Wear protection
 - _ Sanitary version
 - _ High temperature execution (T) up to 250°C



	Inlet*/Outlet*				Other dimensions							Weight*** appr. kg	
	A1/A2 (DIN)	A1/A2 (ANSI)	Ø A1	Ø A2	H	P**	Y	N	V**	W**	Z	AL	SS/GG
ZRD 150	ND 150	6"	166	155	260	372	235	143	220	539	568	20	36
ZRD 200	ND 200	8"	217	207	340	386	330	171	273	683	761	30	53
ZRD 250	ND 250	10"	272	259	400	416	349	206	289	724	786	40	80
ZRD 320	ND 300	12"	322	310	500	650	421	241	297	778	958	60	140
ZRD 400	ND 350	14"	354	341	600	730	474	267	321	844	1238	120	260
ZRD 480	ND 400	16"	410	400	750	815	553	299	382	1014	1271	270	490
ZRD 550	ND 500	20"	500	480	800	880	605	350	382	1110	1345	370	690
ZRD 630	ND 600	24"	600	590	900	960	637	408	428	1166	/	550	1100
ZRD 700	ND 700	28"	710	695	1000	1075	688	459	/	/	/	890	1600
ZPD 800	ND 700	28"	700	680	1140	1175	800	756	417	1260	/	1420	3010

Dimensions in mm

* Drilled according to DIN PN 10 or ANSI 150 lbs

** Dimensions are not valid for high temperature executions and may vary depending on installed drive

*** Without drive