

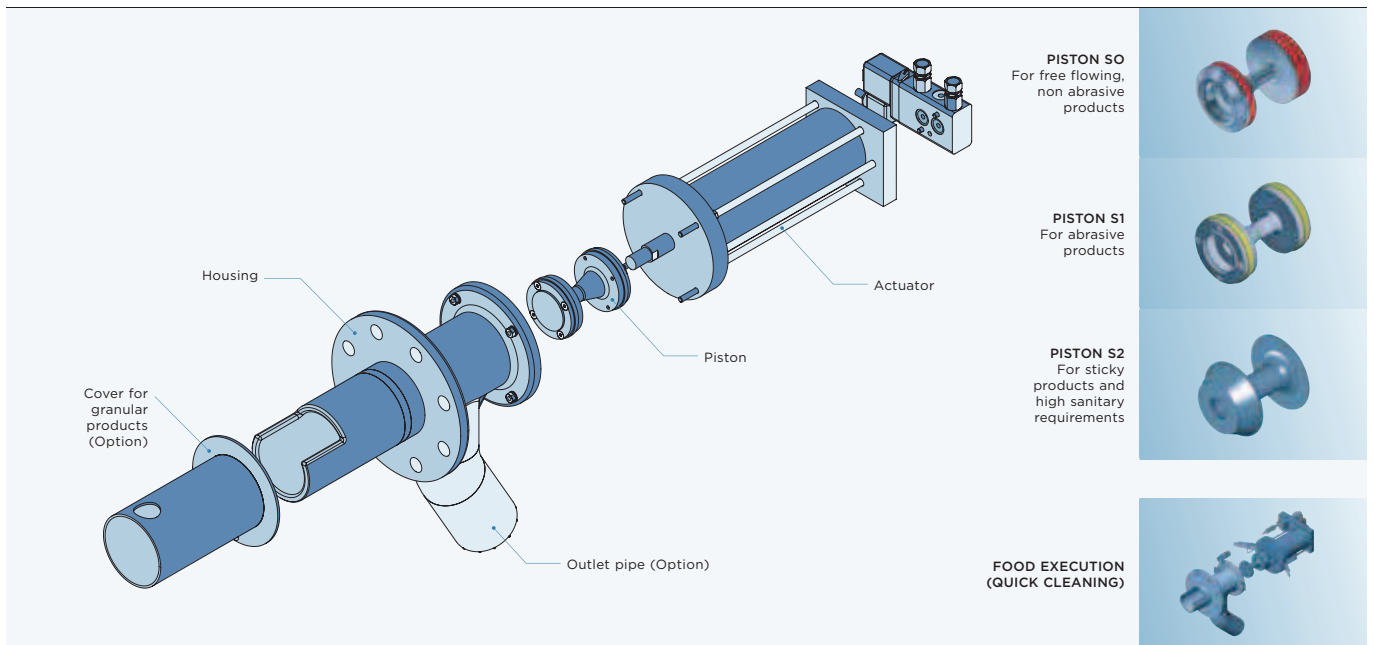
Samplers



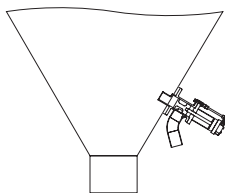
PN 80

- _ For sampling out of hopper cones or gravity pipes
- _ Pressure range ± 0.2 barg (2.9 psi) system and differential pressure (except S2 execution)
- _ Operation temperature -20°C up to +80°C
- _ Double piston with 0.2 l volume activated by pneumatic actuator
- _ Installation position up to 30° to the horizontal
- _ Housing cast aluminum or stainless steel*, piston stainless steel
- _ Executions for granular products and powders
- _ Pistons for free flowing, abrasive or sticky products
- _ Food execution (quick cleaning, only with S2 piston)*
- _ Applicable in Ex-Zones with additional accessories*
- _ Control unit for cycle times*

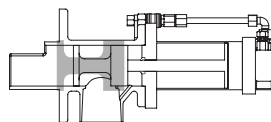
*Option.



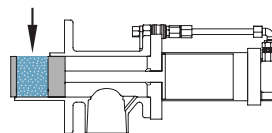
Installation example



Closed



Sampling



Emptying

