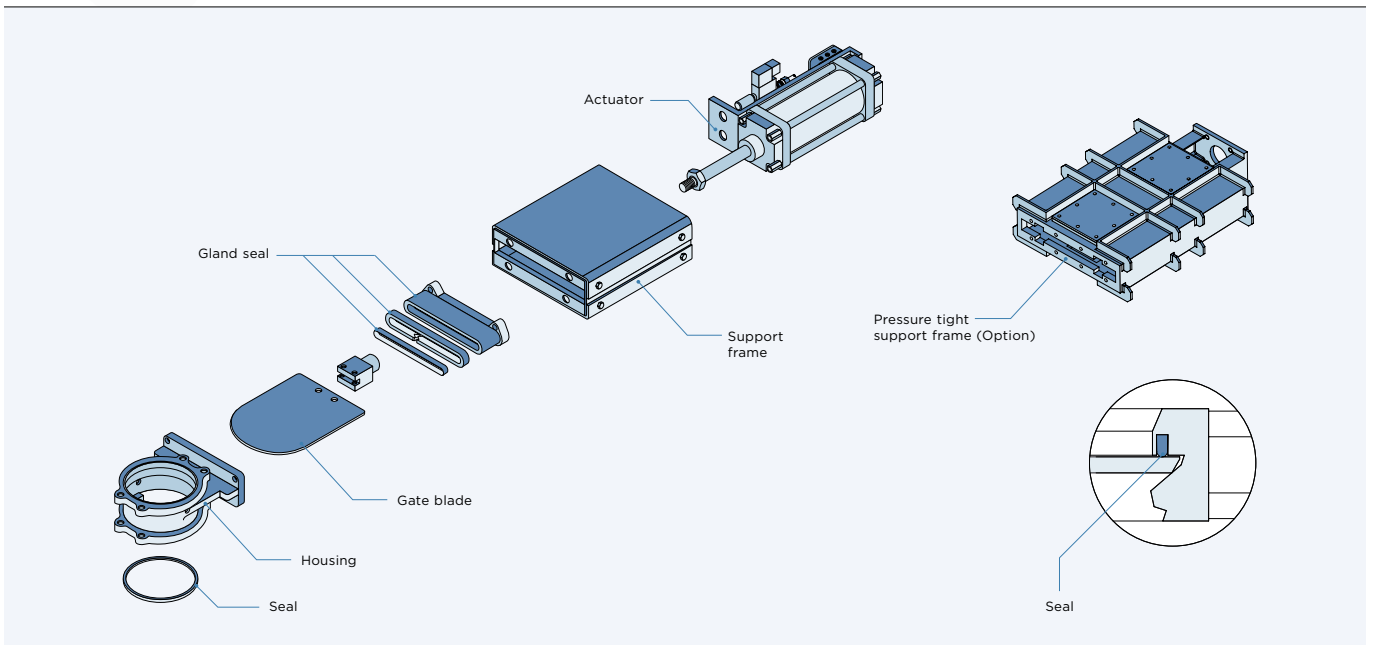


# Universal Gate Valves FUS and FUH

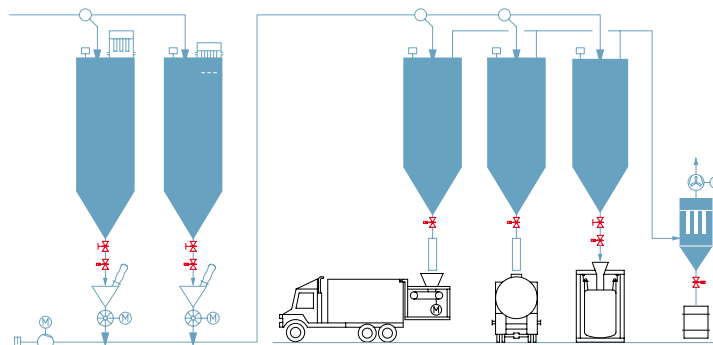


## WAFER VALVES FOR POWDERS AND GRANULAR PRODUCTS

- \_ Made of stainless steel with large free cross section and sealed gate blade
- \_ For installation between two flanges in gravity pipes at up to 1.5 barg (FUS) and 3.5 barg (FUH)
- \_ Low construction height

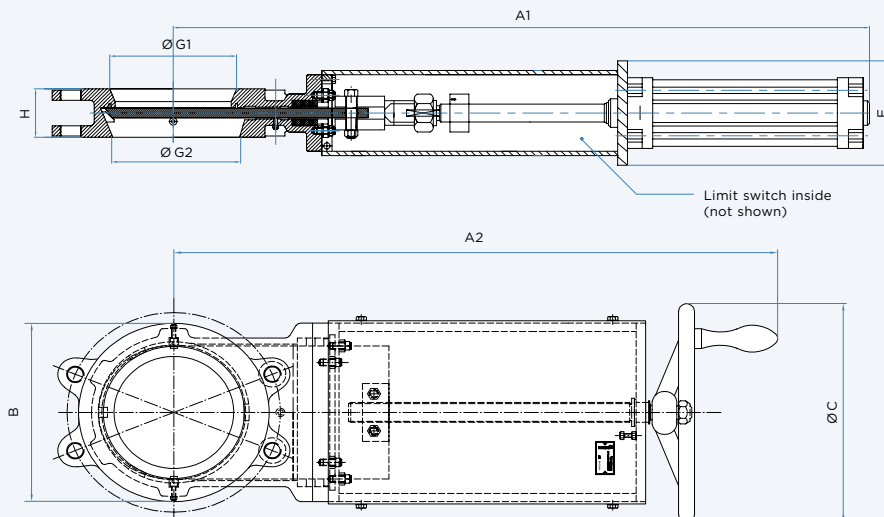


## Application examples



GATE VALVES FOR POWDERS AND GRANULAR PRODUCTS | FUS AND FUH

<b>PRESSURE RANGE</b>	FUH: 3.5 barg (51 psi), FUS: 1.5 barg (21 psi) system and differential pressure	<b>OPTIONS AND ACCESSORIES</b>
<b>OPERATION TEMPERATURE</b>	-20°C up to 100°C	_ Manual or pneumatic version available
<b>APPLICATION</b>	Suitable for fluid group 2 according PED (fluid group 1 on demand), for all bulk materials with $d_{10} > 10 \mu\text{m}$ and $d_{90} < 6 \text{mm}$	_ Installation position up to 30° to the horizontal
<b>SEAL CONFIGURATION</b>	Seal in the drop through opening, gland sealed to the outside	_ Pressure tight support frame (FUH: 5 barg/73 psi, FUS: 2.5 barg/36 psi)
<b>MATERIAL OF CONSTRUCTION</b>	Stainless steel	



	Flange*			Other dimensions				Manual actuator		Weight appr. kg		Pneumatic actuator		Weight appr. kg	
	G (DIN)	G (ANSI)	$\varnothing G1$	$\varnothing G2$	B max.	E max.	H	A2	$\varnothing C$	FUS	FUH	A1	FUS	FUH	
FUS/FUH 100	ND 100	4"	108	110	203	203	51	558	203	18	28	724	26	28	
FUS/FUH 150	ND 150	6"	162	163	265	265	57	645	265	27	40	877	36	43	
FUS/FUH 200	ND 200	8"	212	213	301	265	70	731	265	40	46	1052	49	55	
FUS/FUH 250	ND 250	10"	265	267	362	265	70	841	265	56	66	1272	66	76	
FUS/FUH 300	ND 300	12"	316	318	464	340	76	948	340	70	85	1423	82	105	
FUS/FUH 350	ND 350	14"	356	355	464	340	76	1052	340	94	109	1571	107	130	
FUS/FUH 400	ND 400	16"	406	406	516	340	89	1274	340	138	153	1740	150	185	
FUS/FUH 500	ND 500	20"	508	508	645	340	114	1513	340	226	245	2140	235	410	
FUS/FUH 600	ND 600	24"	607	591	792	419	138	1720	340	285	545	2481	320	600	
FUH 700	ND 700	28"	710	695	951	522	154	2085	500	/	600	2881	/	1000	

Dimensions in mm

\* Drilled according to DIN PN 10 with metric thread or ANSI 150 lbs with thread in inch