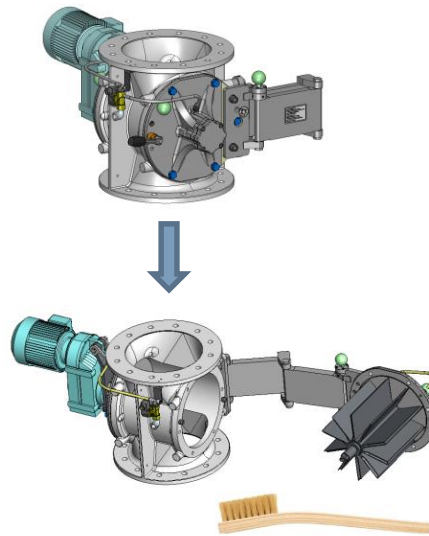


Cleaning Methods - which one are you using?

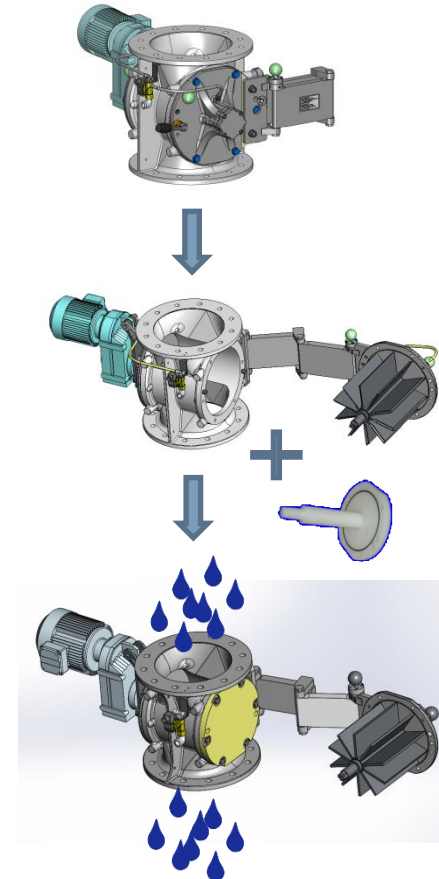
1. Cleaning seldom & only outside



2. Dry cleaning, manually with brush, alcohol, etc.



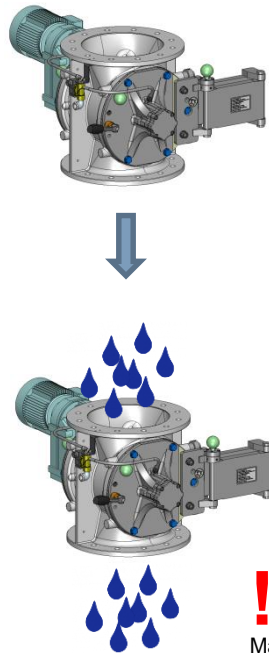
3. Wet cleaning, manually, rotor extracted, possible use of plastic cover



Cleaning Methods - which one are you using?

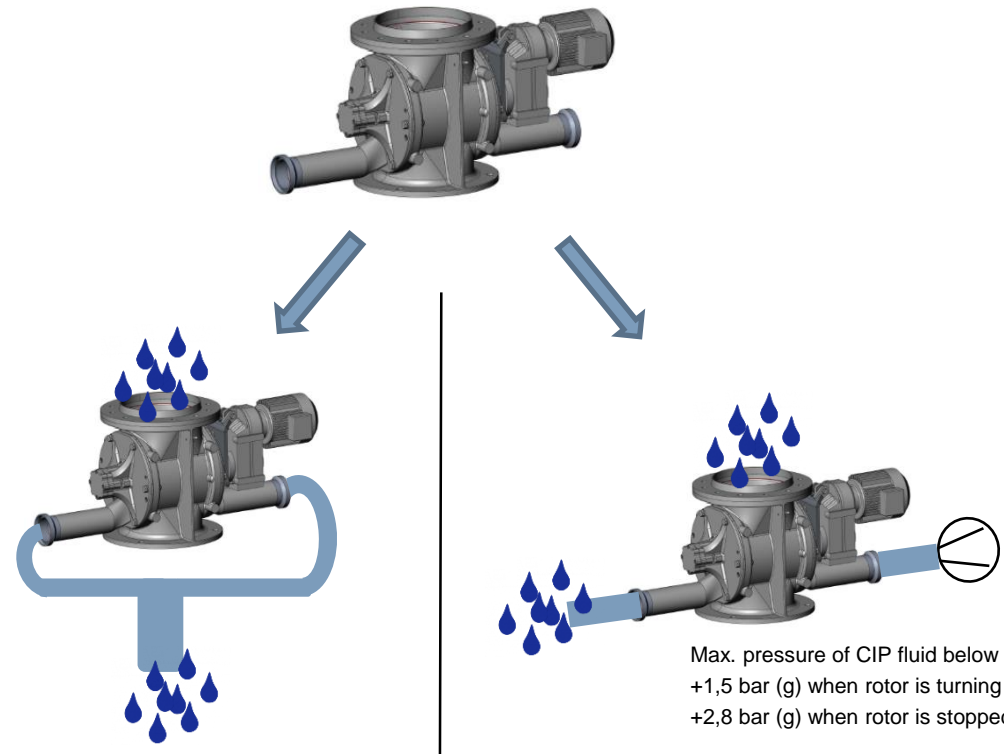
4. CIP - Cleaning in Process, automatic cleaning of the rotary valve

a) Discharge valve ZRD



! Gap design must be for max. CIP / Dry out temp.
Max. pressure of CIP fluid below valve::
+1,5 bar (g) when rotor is turning
+2,8 bar (g) when rotor is stopped

b) Blow-through valve ZXD, ZFD



! Gap design must be for max. CIP / Dry out temp.

Max. pressure of CIP fluid below valve::
+1,5 bar (g) when rotor is turning
+2,8 bar (g) when rotor is stopped