



SWECO

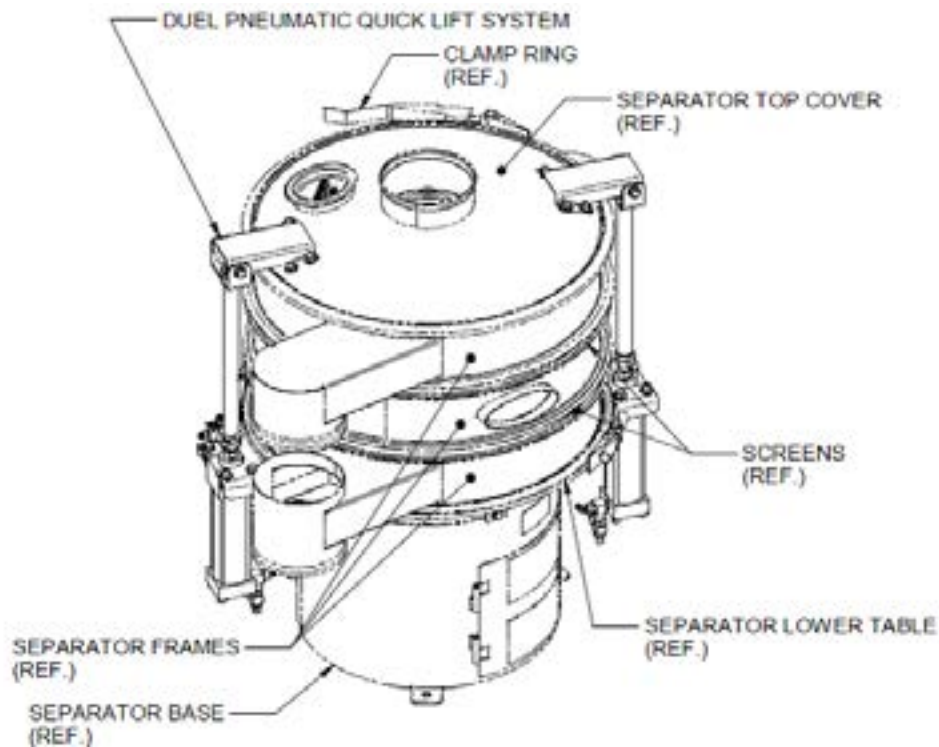
Technical Bulletin



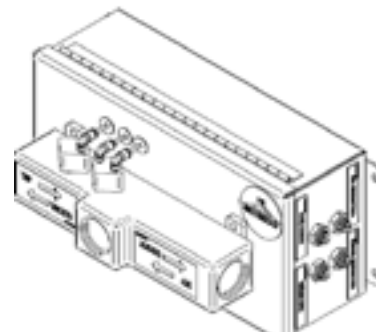
Quick Lift System

by Rob Yake

The SWECO Pneumatic Quick Lift System is an accessory used in conjunction with a SWECO round separator to help quicken and simplify the removal, installation, and inspection of the screens. The Pneumatic Quick Lift System has special brackets that bolt to the unit top cover and to the lower table. When air pressure is applied, the top cover/frame stack-up will rise upwards approximately 3 inches (78 mm) to allow for quick and easy removal, installation, or inspection of the screen. The Pneumatic Quick Lift System can be installed on the ZS24.ZS30 and the ZS40.



All Quick Lift Systems are supplied with pneumatic control boxes.



Proprietary & Confidential Information of SWECO, a business unit of M-I L.L.C.

