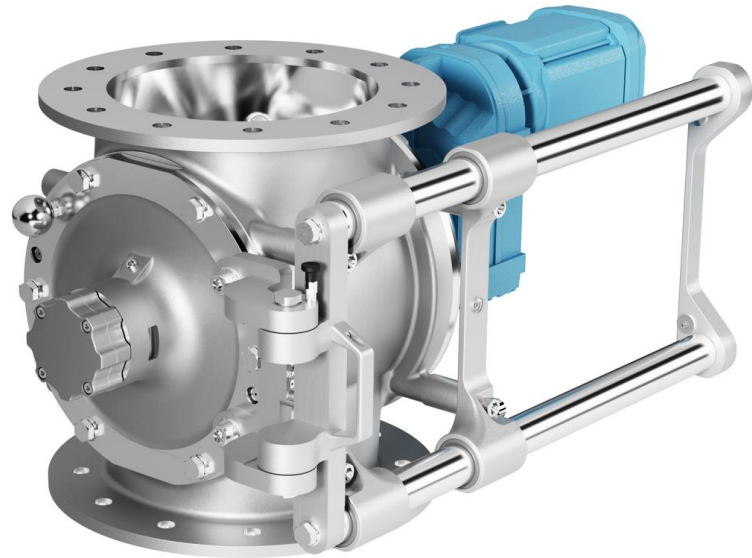
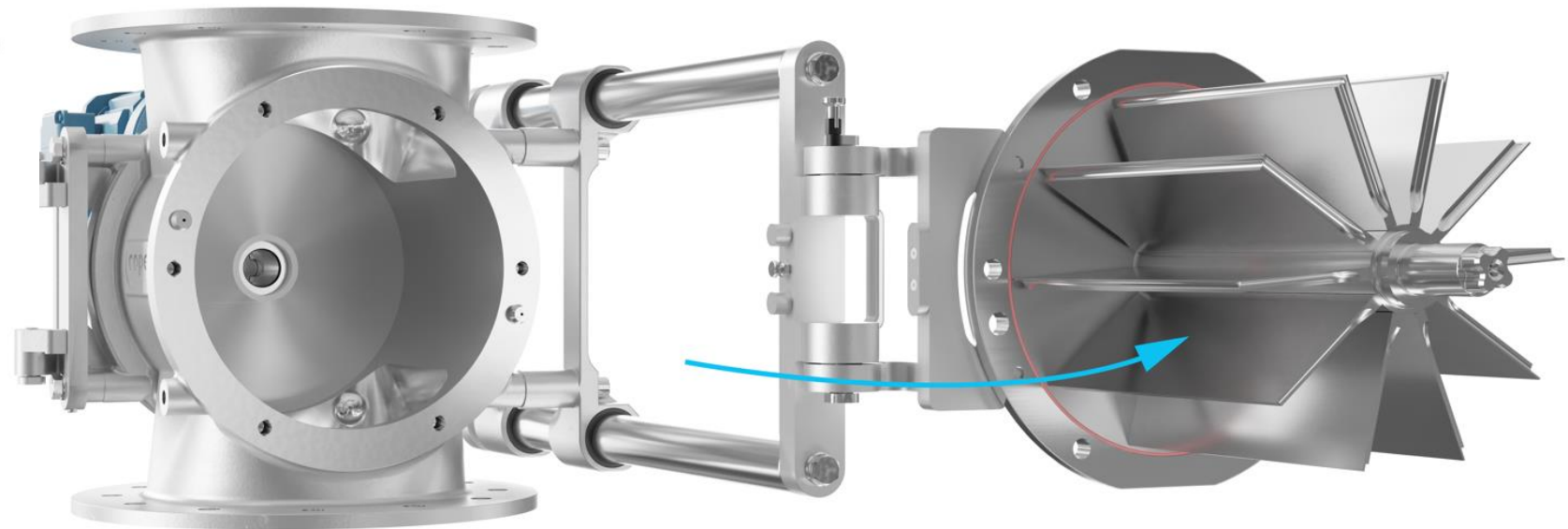


# Rotary Valve Extraction Device FXL **NEW**

FX = Full Access



**NEW**



# Rotary Valve Extraction Devices FXL and FXS

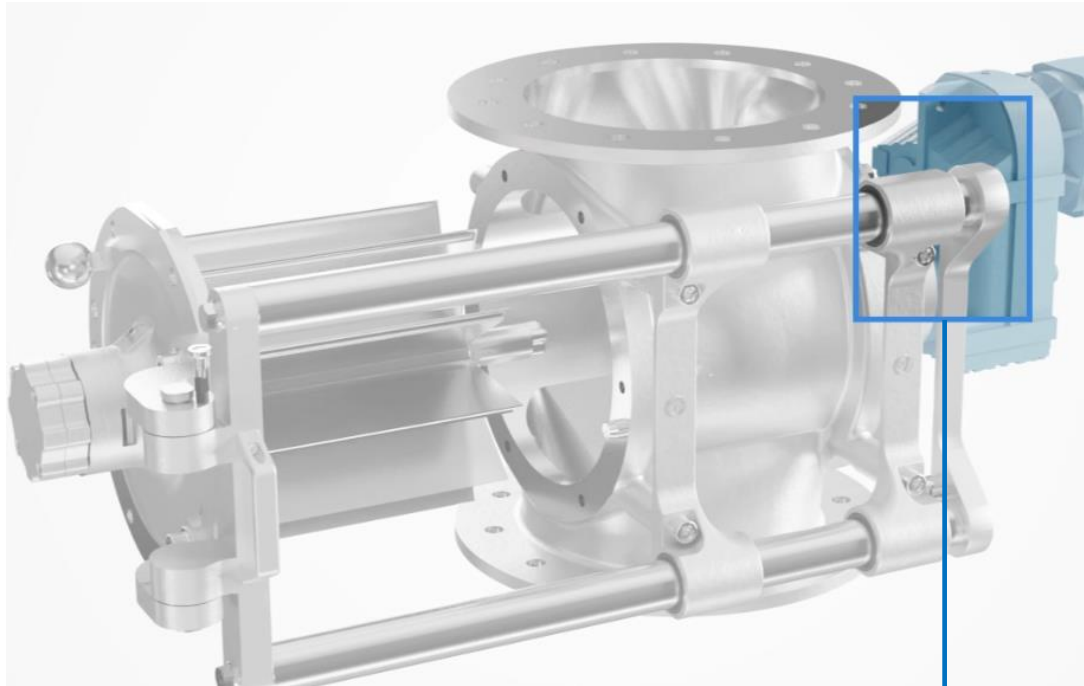
FX = Full Access

No matter what you choose, FXL or FXS:  
No better way for Access !



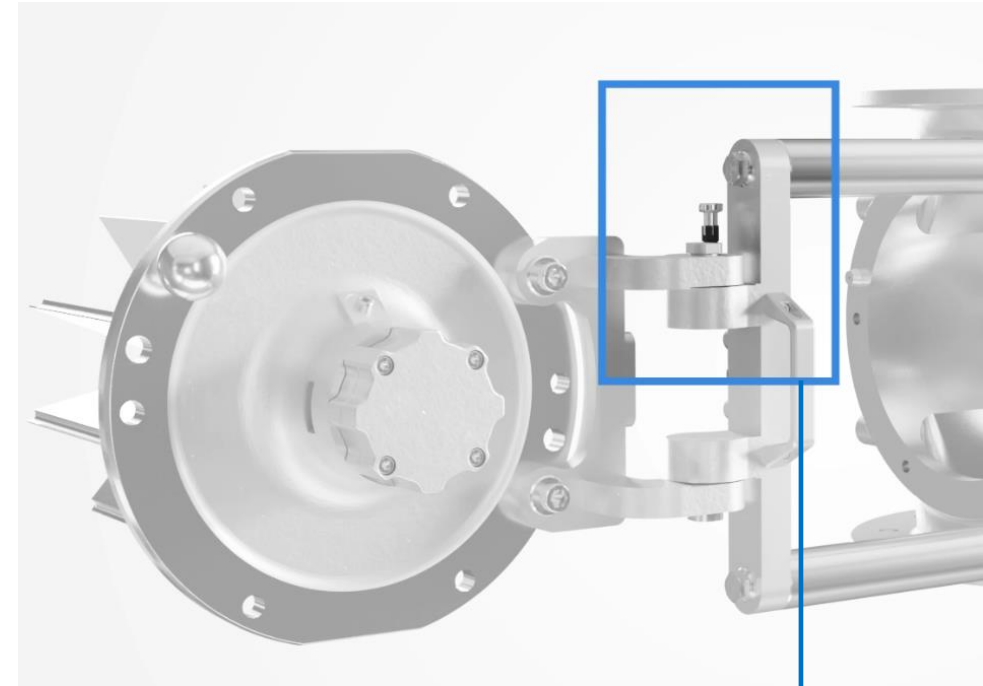
# Rotary Valve Extraction Device FXL

## Design Features



**Safety: Magnetic Locking**

-> rotor does not move by itself

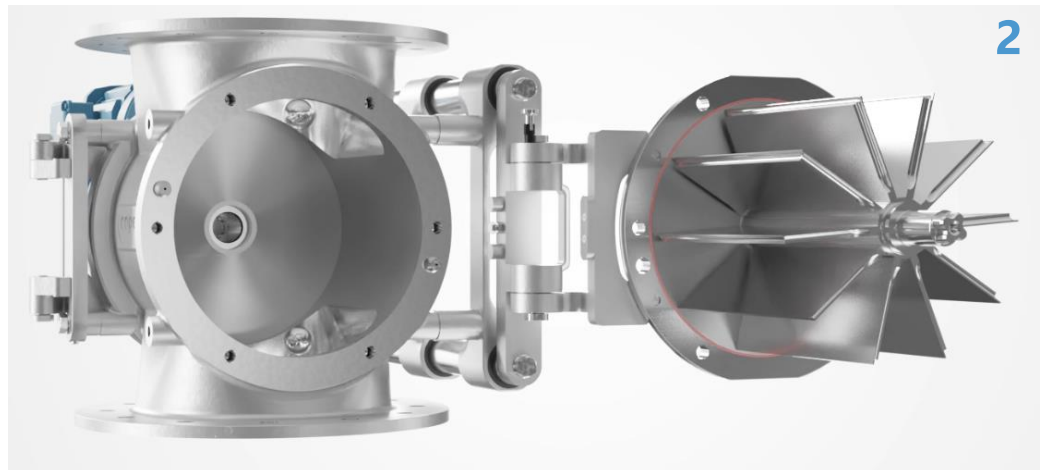
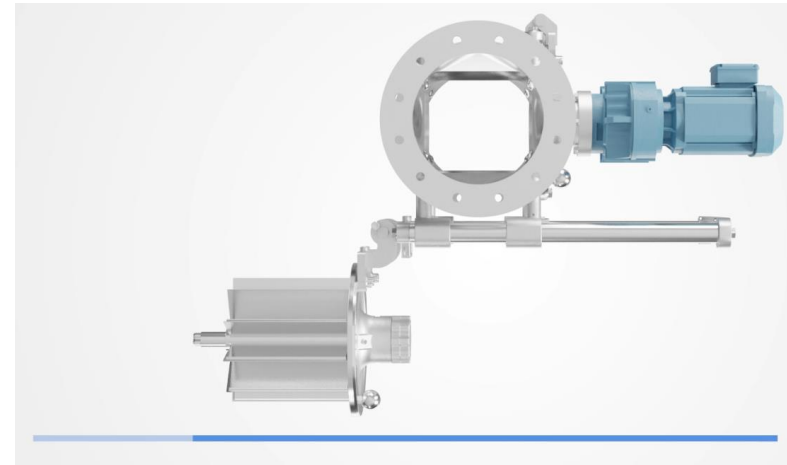
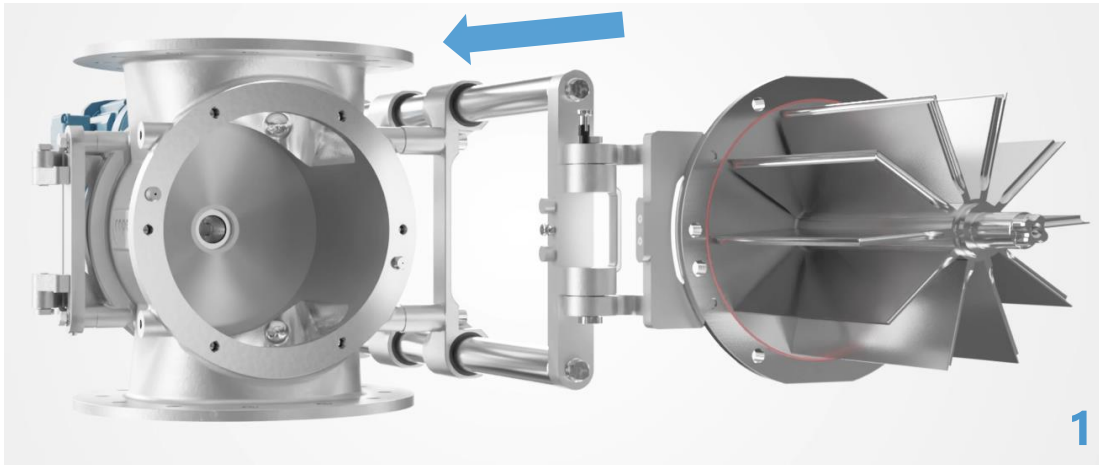


**Change of Position: Release Lever**

-> rotor can be swiveled to the side by 180 degrees

# Rotary Valve Extraction Device FXL

## Design Features

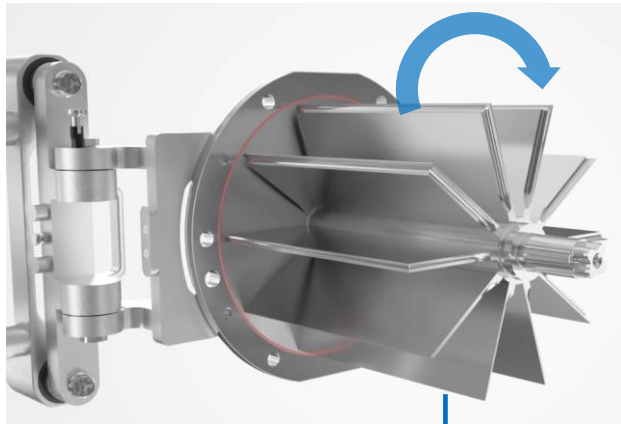


## Space Saving Design

- > rotor and bars never in the way
- > full and best access for cleaning and inspection

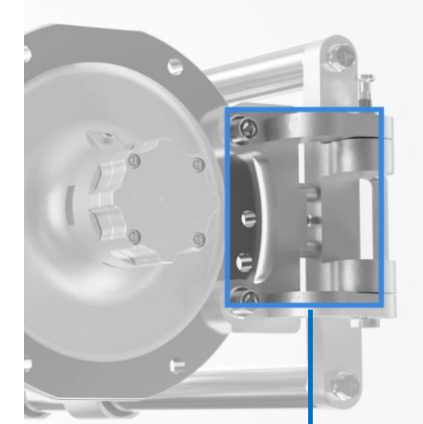
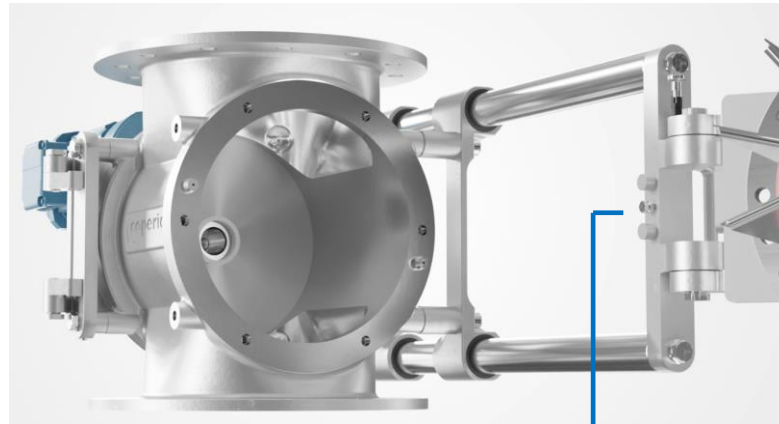
# Rotary Valve Extraction Device FXL

## Design Features



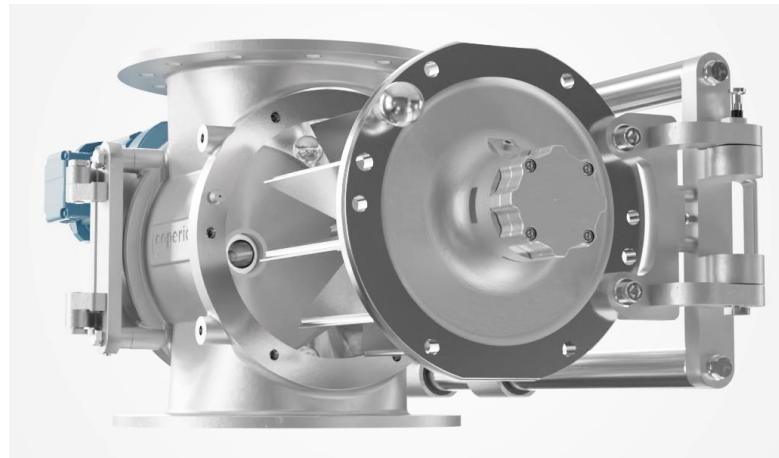
### Turnable Rotor

-> for easy cleaning of rotor pockets



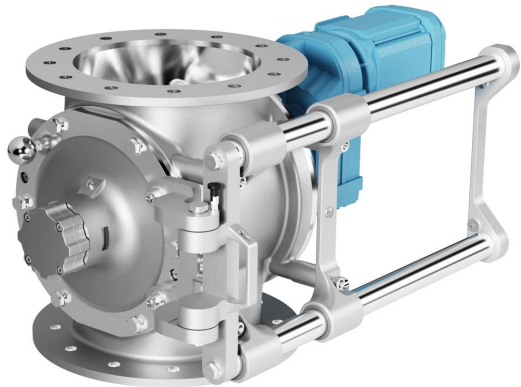
### Perfect Insert Position by Magnetic Locking

-> for precise insertion of the rotor into the housing



# Rotary Valve Extraction Device FXL

Video



Link to You Tube:

[FXL & FXS Full Access Extraction Devices for Rotary Valves - YouTube](#)